

# INTERNATIONAL STANDARD

# ISO 13479

Second edition  
2009-09-15

---

---

## **Polyolefin pipes for the conveyance of fluids — Determination of resistance to crack propagation — Test method for slow crack growth on notched pipes**

*Tubes en polyoléfines pour le transport des fluides — Détermination de la résistance à la propagation de la fissure — Méthode d'essai de la propagation lente de la fissure d'un tube entaillé (essai d'entaille)*

www.parsethylene-kish.com



Reference number  
ISO 13479:2009(E)

© ISO 2009

## ISO 13479:2009(E)

**PDF disclaimer**

This PDF file may contain embedded typefaces. In accordance with Adobe's licensing policy, this file may be printed or viewed but shall not be edited unless the typefaces which are embedded are licensed to and installed on the computer performing the editing. In downloading this file, parties accept therein the responsibility of not infringing Adobe's licensing policy. The ISO Central Secretariat accepts no liability in this area.

Adobe is a trademark of Adobe Systems Incorporated.

Details of the software products used to create this PDF file can be found in the General Info relative to the file; the PDF-creation parameters were optimized for printing. Every care has been taken to ensure that the file is suitable for use by ISO member bodies. In the unlikely event that a problem relating to it is found, please inform the Central Secretariat at the address given below.

**COPYRIGHT PROTECTED DOCUMENT**

© ISO 2009

All rights reserved. Unless otherwise specified, no part of this publication may be reproduced or utilized in any form or by any means, electronic or mechanical, including photocopying and microfilm, without permission in writing from either ISO at the address below or ISO's member body in the country of the requester.

ISO copyright office  
Case postale 56 • CH-1211 Geneva 20  
Tel. + 41 22 749 01 11  
Fax + 41 22 749 09 47  
E-mail [copyright@iso.org](mailto:copyright@iso.org)  
Web [www.iso.org](http://www.iso.org)

Published in Switzerland

## Foreword

ISO (the International Organization for Standardization) is a worldwide federation of national standards bodies (ISO member bodies). The work of preparing International Standards is normally carried out through ISO technical committees. Each member body interested in a subject for which a technical committee has been established has the right to be represented on that committee. International organizations, governmental and non-governmental, in liaison with ISO, also take part in the work. ISO collaborates closely with the International Electrotechnical Commission (IEC) on all matters of electrotechnical standardization.

International Standards are drafted in accordance with the rules given in the ISO/IEC Directives, Part 2.

The main task of technical committees is to prepare International Standards. Draft International Standards adopted by the technical committees are circulated to the member bodies for voting. Publication as an International Standard requires approval by at least 75 % of the member bodies casting a vote.

Attention is drawn to the possibility that some of the elements of this document may be the subject of patent rights. ISO shall not be held responsible for identifying any or all such patent rights.

ISO 13479 was prepared by Technical Committee ISO/TC 138, *Plastics pipes, fittings and valves for the transport of fluids*, Subcommittee SC 5, *General properties of pipes, fittings and valves of plastic materials and their accessories — Test methods and basic specifications*.

This second edition cancels and replaces the first edition (ISO 13479:1997), which has been technically revised.

www.parsethylene-kish.com

www.parsethylene-kish.com

# Polyolefin pipes for the conveyance of fluids — Determination of resistance to crack propagation — Test method for slow crack growth on notched pipes

## 1 Scope

This International Standard specifies a test method for determining the resistance to slow crack growth of polyolefin pipes, expressed in terms of time to failure in a hydrostatic pressure test on a pipe with machined longitudinal notches in the outside surface. The test is applicable to pipes of wall thickness greater than 5 mm.

## 2 Normative references

The following referenced documents are indispensable for the application of this document. For dated references, only the edition cited applies. For undated references, the latest edition of the referenced document (including any amendments) applies.

ISO 161-1, *Thermoplastics pipes for the conveyance of fluids — Nominal outside diameters and nominal pressures — Part 1: Metric series*

ISO 1167-1, *Thermoplastics pipes, fittings and assemblies for the conveyance of fluids — Determination of the resistance to internal pressure — Part 1: General method*

ISO 1167-2, *Thermoplastics pipes, fittings and assemblies for the conveyance of fluids — Determination of the resistance to internal pressure — Part 2: Preparation of pipe test pieces*

ISO 3126, *Plastics piping systems — Plastics components — Determination of dimensions*

ISO 6108, *Double equal angle cutters with plain bore and key drive*

ISO 11922-1, *Thermoplastics pipes for the conveyance of fluids — Dimensions and tolerances — Part 1: Metric series*

## 3 Terms and definitions

For the purposes of this document, the terms and definitions given in ISO 161-1 and ISO 11922-1 apply.

## 4 Principle

Lengths of pipe with four machined longitudinal external notches are subject to a hydrostatic pressure test whilst immersed in a water tank at 80 °C in accordance with ISO 1167-1 and ISO 1167-2. The time to failure or test period is recorded.

NOTE It is assumed that the following test parameters are set by the standard or specification making reference to this International Standard:

- a) the number of test pieces, if applicable (see 6.5);
- b) the test pressure (see 8.1);
- c) the test period (see 8.1).

## ISO 13479:2009(E)

## 5 Apparatus

**5.1 Pipe pressure-testing equipment**, as specified in ISO 1167-1.

**5.2 Notch-machining equipment**, i.e. a milling machine with a horizontal mandrel rigidly fixed to the bed to enable the pipe to be securely clamped to give a straight test piece.

The mandrel shall support the pipe bore beneath and along the full length of the notch to be machined.

The milling cutter mounted on a horizontal arbor shall be a 60° included-angle V-cutter conforming to ISO 6108, having a cutting rate of  $(0,010 \pm 0,002)$  (mm/r)/tooth (see example).

**EXAMPLE** A cutter with 20 teeth rotating at 700 r/min, traversed at a speed of 150 mm/min, has a cutting rate of  $150/(20 \times 700) = 0,011$  (mm/r)/tooth.

The milling cutter shall be carefully protected against damage. The cutter shall be subject to a running-in treatment amounting to 10 m of notching prior to its first use for the preparation of test pieces. It shall not be used for any other material or purpose and shall be replaced after 500 m of notching.

The cutter shall be checked for damage or wear after each 100 m of cutting. The cutter teeth shall be compared with a new cutter by examination with a microscope using a magnification of 10 to 20 times. If there is any evidence of damage or wear it shall be replaced.

## 6 Test piece preparation

### 6.1 General

Prior to any measurements the test piece shall be conditioned at  $(23 \pm 2)$  °C for at least 4 h.

### 6.2 Test pieces

Each test piece shall comprise a length of pipe sufficient to give a minimum free length of pipe of  $(3d_n \pm 5)$  mm between the end caps, when fitted for pressure testing in accordance with ISO 1167-2, where  $d_n$  is the nominal outside diameter of the pipe. For pipes with a nominal outside diameter  $d_n > 315$  mm, a minimum free length of  $(3d_n \pm 5)$  mm shall be used where practicable; otherwise, a minimum free length of greater than or equal to 1 000 mm shall be used. Type A end caps in accordance with ISO 1167-1 shall be used.

**NOTE** The use of pipes less than  $(3d_n \pm 5)$  mm and notch lengths of less than the nominal outside diameter is subject to further study.

### 6.3 Notch location and measurement of dimensions

Positions shall be marked for machining four notches equally spaced around the pipe circumference (see Figure 1). Measure the mean outside diameter,  $d_{em}$ , of the test pipe and the wall thickness of the pipe in the centre of the pipe at each notch position in accordance with ISO 3126.

### 6.4 Machining the notches

**6.4.1** If the wall thickness of the test piece is greater than 50 mm, the material shall be machined with a slot drill of 15 mm to 20 mm diameter to leave approximately 10 mm to be removed by the V-cutter, used in accordance with 6.4.2.

**6.4.2** Each notch shall be machined by climb milling (see Figure 2) to such a depth as to produce a pipe wall ligament thickness of between 0,78 and 0,82 times the minimum wall thickness, as specified in ISO 11922-1, for the diameter and pressure series of the pipe as shown in Table A.1 (see Note in this subclause). The ends of each notch shall be aligned circumferentially as shown in Figure 1 and Figure 2.

The length of each notch, at full depth, shall be equal to the pipe nominal outside diameter  $\pm 1$  mm. For pipes greater than 315 mm in diameter with a free length of pipe of less than  $(3 d_n \pm 5)$  mm, the length of each notch, at full depth, shall be equal to the free length minus  $(500 \pm 1)$  mm, in accordance with 6.2.

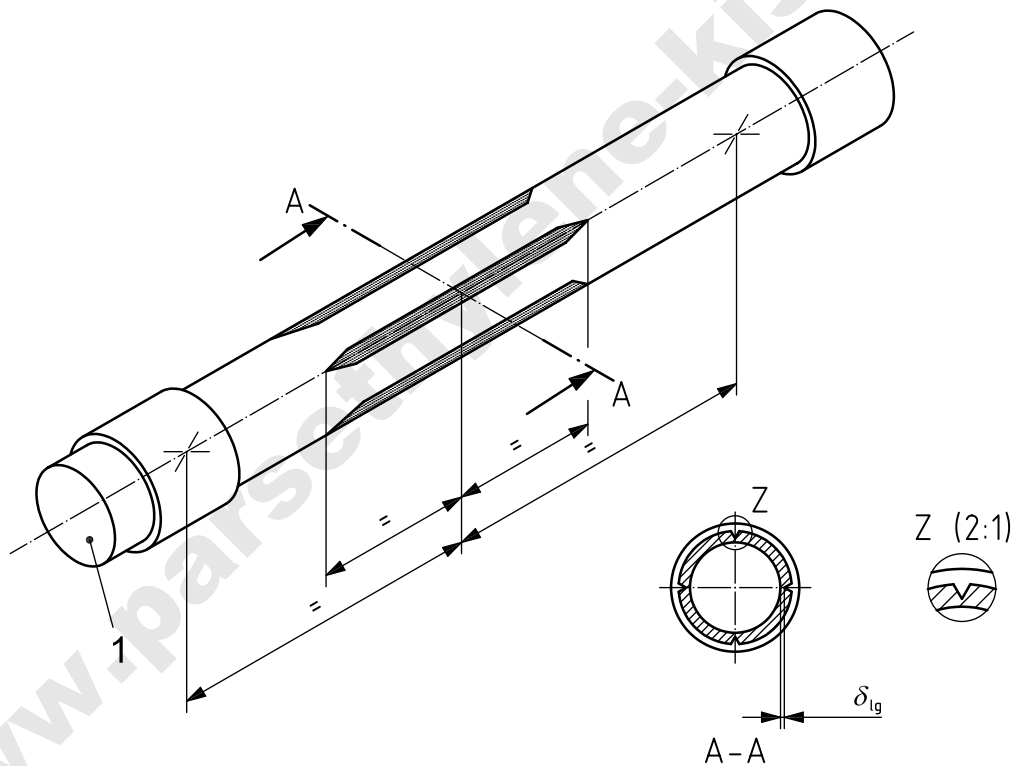
NOTE To achieve a remaining ligament within the required tolerance range, it is advisable to aim for a remaining ligament at the maximum of the tolerance range. This is because the pipe wall can move due to the release of residual stresses, resulting in a deeper than anticipated notch.

**6.4.3** Measure and record the depth of each notch and the ligament thickness,  $\delta_{lg}$ .

NOTE 1 Measurement can be facilitated through the use of a dial gauge with a narrow angle tip mounted in a V-block.

NOTE 2 When difficulty is encountered in measuring the ligament thickness of thick walled pipe, reference is made to the method specified in 8.2.

**6.4.4** The test piece shall have end caps fitted, which ensure that any longitudinal internal pressure load will act fully on the pipe (e.g. as shown for the type A arrangement in ISO 1167-2).



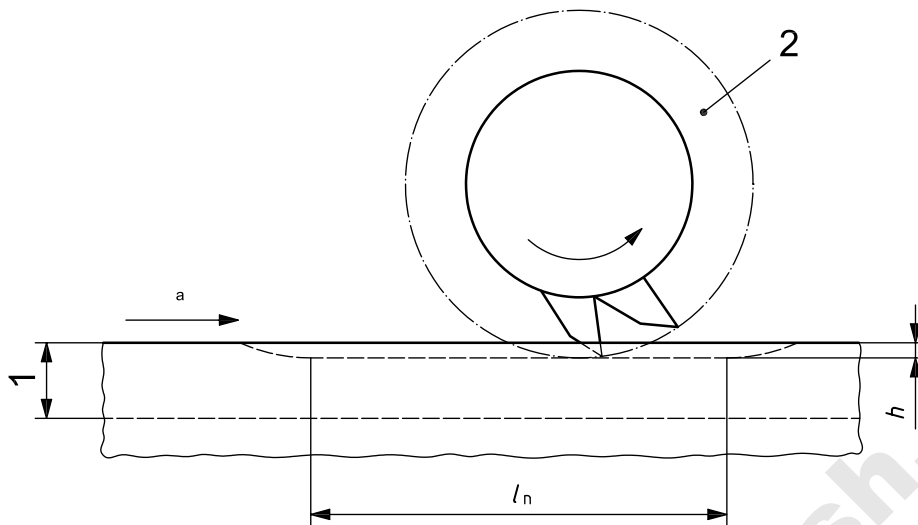
**Key**

1 end cap

$\delta_{lg}$  ligament thickness: 0,78 to 0,82 times minimum ISO wall thickness, in millimetres

**Figure 1 — Pipe test piece**

ISO 13479:2009(E)

**Key**

- 1 pipe wall
- 2 60° double equal angle cutter
- $h$  notch depth, in millimetres
- $l_n$  notch length ( $1 \times d_n$ ) centred on test piece
- $a$  Direction.

**Figure 2 — Notching method****6.5 Number of test pieces**

Prepare a minimum of three test pieces, unless specified otherwise in the referring standard.

**7 Conditioning**

The test pieces shall be filled with water, immersed in a water tank at 80 °C and allowed to condition in accordance with the conditioning time stated in ISO 1167-1 for the pipe wall thickness.

**8 Procedure****8.1 Hydrostatic-pressure testing**

**8.1.1** Pressurize the test piece with water in accordance with ISO 1167-1 at a test temperature of 80 °C, applying and maintaining the pressure specified by the referring standard.

**8.1.2** Connect the test piece(s) to the pressurizing equipment and bleed off the air. After conditioning in accordance with Clause 7, progressively and smoothly apply the test pressure, in the shortest time practicable between 30 s and 1 h, depending upon the size of the test piece and the capability of the pressurizing equipment.

**8.1.3** Maintain the pressure until either the test piece ruptures or the time specified by the referring standard has elapsed, whichever occurs first. Record the time under pressure to the nearest hour. In the case of failure, record the location of the failure for each test piece.

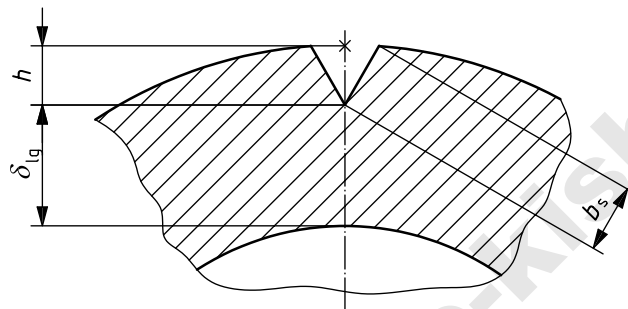
NOTE Table B.1 gives applicable pressure levels, dependent on material type and pipe series.



## 8.2 Ligament thickness measurement after testing

Measurement after testing should be carried out if premature failure has occurred. The following method is recommended.

On completion of the pressure test, remove the test piece from the water tank and allow to cool to ambient temperature. Cut a section of pipe out from around the position of each notch. Open up the notch to give clear access to one of the machined surfaces of the notch. Measure the width of the machined surface of the notch,  $b_s$ , to an accuracy  $\pm 0,1$  mm with a microscope or equivalent means, as shown in Figure 3. If required by the referring standard, measure the depth of penetration of the crack.



### Key

$b_s$  width of machined surface of notch

$h$  notch depth

$\delta_{lg}$  ligament thickness

Figure 3 — Measurement to calculate notch depth

Calculate the notch depth,  $h$ , in millimetres, using the Equation (1):

$$h = 0,5 \left[ d_{em} - \sqrt{(d_{em}^2 - b_s^2)} \right] + 0,866 b_s \quad (1)$$

where

$b_s$  is the width of machined surface of the notch, in millimetres;

$d_{em}$  is the measured mean pipe outside diameter, in millimetres.

Calculate the ligament thickness,  $\delta_{lg}$ , from the notch depth and the individual average wall thickness alongside each notch position. Record the values obtained.

## 9 Test report

The test report shall include the following information:

- reference to this International Standard, i.e. ISO 13479:2009 and to the referring standard or specification;
- all details necessary for complete identification of the pipe (manufacturer, type of pipe and production date);
- the cutter size and number of teeth;
- the cutter speed, in revolutions per minute and the traverse speed, in millimetres per minute;

ISO 13479:2009(E)

- e) the mean pipe outside diameter, in millimetres, and the pipe series or SDR;
- f) the notch depth and ligament thickness for each notch;
- g) the location of any failed notch;
- h) the test pressure;
- i) the time under pressure or the time to failure, in hours, as applicable;
- j) the details of any factors which could have affected the results, such as any incidents or any operations not specified in this International Standard;
- k) the date of the test.

www.parsethylene-kish.com

**Annex A**  
(normative)

**Ligament thicknesses**

www.parsethylene-kish.com

ISO 13479:2009(E)

Table A.1 — Remaining ligament thicknesses for pipe series

Nominal outside diameter $d_n$	Dimensions in millimetres																						
	Ligament thickness, $\delta_{lg}$																						
	SDR6 S2,5		SDR7,4 S3,2		SDR9 S4		SDR11 S5		SDR13,6 S6,3		SDR17 S8		SDR17,6 S8,3		SDR21 S10		SDR26 S12,5		SDR33 S16		SDR41 S20		
min.	max.	min.	max.	min.	max.	min.	max.	min.	max.	min.	max.	min.	max.	min.	max.	min.	max.	min.	max.	min.	max.	min.	max.
32	4,2	4,4																					
40	5,2	5,5	4,3	4,5																			
50	6,5	6,8	5,4	5,7	4,4	4,6																	
63	8,2	8,6	6,7	7,1	5,5	5,8	4,5	4,8															
75	9,8	10,3	8,0	8,4	6,5	6,9	5,3	5,6	4,3	4,5													
90	11,7	12,3	9,6	10,1	7,9	8,3	6,4	6,7	5,1	5,4	4,2	4,4	4,0	4,2									
110	14,3	15,0	11,8	12,4	9,6	10,1	7,8	8,2	6,3	6,6	5,1	5,4	4,9	5,2	4,1	4,3							
125	16,2	17,1	13,3	14,0	10,9	11,5	8,9	9,3	7,2	7,5	5,8	6,1	5,5	5,8	4,7	4,9							
140	18,2	19,1	15,0	15,7	12,2	12,9	9,9	10,4	8,0	8,4	6,5	6,8	6,2	6,6	5,2	5,5	4,2	4,4					
160	20,7	21,8	17,1	18,0	14,0	14,7	11,4	12,0	9,2	9,7	7,4	7,8	7,1	7,5	6,0	6,3	4,8	5,1					
180	23,3	24,5	19,2	20,2	15,7	16,5	12,8	13,4	10,4	10,9	8,3	8,8	8,0	8,4	6,7	7,1	5,4	5,7	4,3	4,5			
200	25,9	27,2	21,4	22,5	17,5	18,4	14,2	14,9	11,5	12,1	9,3	9,8	8,9	9,3	7,5	7,9	6,0	6,3	4,8	5,1			
225	29,2	30,7	24,0	25,3	19,6	20,6	16,0	16,8	12,9	13,6	10,5	11,0	10,0	10,5	8,4	8,9	6,7	7,1	5,4	5,7	4,3	4,5	
250	32,4	34,0	26,7	28,0	21,8	22,9	17,7	18,6	14,4	15,1	11,5	12,1	11,1	11,6	9,3	9,8	7,5	7,9	6,0	6,3	4,8	5,0	
280	36,3	38,1	29,9	31,4	24,3	25,6	19,8	20,8	16,1	16,9	12,9	13,6	12,4	13,0	10,5	11,0	8,3	8,8	6,7	7,1	5,4	5,7	
315	40,8	42,9	33,6	35,3	27,3	28,7	22,3	23,5	18,2	19,1	14,6	15,3	14,0	14,7	11,7	12,3	9,4	9,9	7,6	8,0	6,0	6,3	
355	46,0	48,4	37,8	39,8	30,8	32,4	25,2	26,5	20,4	21,4	16,5	17,3	15,8	16,6	13,2	13,9	10,6	11,2	8,5	8,9	6,8	7,1	
400			42,7	44,9	34,7	36,5	28,4	29,8	22,9	24,1	18,5	19,4	17,8	18,7	14,9	15,7	11,9	12,5	9,6	10,1	7,6	8,0	
450			48,1	50,6	39,0	41,0	31,9	33,5	25,8	27,1	20,8	21,9	19,9	21,0	16,8	17,6	13,4	14,1	10,8	11,3	8,6	9,0	
500					43,4	45,6	35,5	37,3	28,7	30,2	23,1	24,3	22,2	23,3	18,6	19,6	14,9	15,7	11,9	12,5	9,5	10,0	
560							39,7	41,7	32,1	33,8	25,9	27,2	24,9	26,2	20,8	21,9	16,7	17,5	13,4	14,1	10,7	11,2	
630							44,7	47,0	36,2	38,0	29,1	30,6	27,9	29,4	23,4	24,6	18,8	19,8	15,1	15,8	12,0	12,6	
710									40,8	42,9	32,8	34,5	31,4	33,0	26,4	27,8	21,2	22,3	17,0	17,9	13,6	14,3	
800									45,9	48,3	37,0	38,9	35,3	37,1	29,7	31,2	23,9	25,1	19,1	20,1	15,3	16,1	
900											41,7	43,9	39,8	41,8	33,5	35,2	27,1	28,5	21,5	22,6	17,2	18,0	
1 000											46,3	48,6	44,1	46,4	37,2	39,1	30,0	31,6	23,9	25,1	19,0	20,0	
1 200														44,6	46,9	36,0	37,9	28,4	29,8	22,8	24,0	24,0	24,0
1 400																42,0	44,2	33,1	34,8	26,7	28,0	28,0	28,0
1 600																48,0	50,4	37,8	39,8	30,5	32,1	32,1	32,1

**Annex B**  
(normative)

**Test-pressure levels for polyethylene**

NOTE It is possible that the test is applicable to other thermoplastics, but test parameters would need to be developed.

For a notch test for slow crack growth in polyethylene (PE) pipe, at the test temperature of 80 °C the applicable pressure levels depend on the material type and pipe series of test pipe as given in Table B.1.

**Table B.1 — Test-pressure levels**

Standard dimension ratio (SDR)	S series	Test pressure, <i>p</i> bar	
		PE 80	PE 100
41	20	2	2,3
33	16	2,5	2,88
26	12,5	3,2	3,68
21	10	4	4,6
17,6	8,3	4,82	5,54
17	8	5	5,75
13,6	6,3	6,35	7,3
11	5	8	9,2
9	4	10	11,5
7,4	3,2	12,5	14,38
6	2,5	16	18,4

NOTE These pressure levels are calculated to give nominal plain-pipe hydrostatic stress levels of 4,0 MPa in PE 80 materials and 4,6 MPa in PE 100 materials using Equation (B.1):

$$p = \frac{10\sigma}{S} \text{ or } p = \frac{20\sigma}{SDR - 1} \tag{B.1}$$

where

- $\sigma$  is the hydrostatic stress, in megapascals;
- S is the pipe series;
- SDR is the standard dimension ratio.

ISO 13479:2009(E)

www.parsethylene-kish.com

Provided by : www.spic.ir

---

---

**ICS 23.040.20**

Price based on 9 pages