

Pipe Joints and Pipe Fittings for
Pipes under Pressure made of Unplasticized
Polyvinyl Chloride (Rigid PVC)
Sockets with Primary Element of Copper-Zinc Alloy (Brass) for Bonding
Dimensions

DIN
8063
Part 11

Rohrverbindungen und Rohrleitungsteile für Druckrohrleitungen aus weichmacherfreiem Polyvinylchlorid (PVC hart);
Muffen mit Grundkörper aus Kupfer-Zink-Legierung (Messing) für Klebung; Masse

Dimensions in mm

1 Scope

This Standard applies to sockets with a primary element of copper-zinc alloy (brass) with a threaded connection on one side and a bonded socket on the other side which are connected by means of a suitable adhesive ¹⁾ to pipes of unplasticized polyvinyl chloride (rigid PVC) of pipe series 4 of DIN 8062 or with threaded pipes of other materials and which meet the requirements of DIN 8063 Part 5.

2 Other relevant Standards

- DIN 475 Part 1 Widths across flats for bolts, screws, nuts, armatures, fittings
DIN 2999 Part 1 Whitworth pipe threads for tubes and fittings; cylindrical internal thread and conical external thread, thread dimensions
DIN 8062 Pipes of unplasticized PVC (rigid polyvinyl chloride); dimensions
DIN 8063 Part 5 Pipe joints and pipe fittings for pipes under pressure of rigid polyvinyl chloride (rigid PVC); general quality requirements, testing
DIN 17 660 Wrought copper alloys; copper-zinc alloys (brass) (special brass), composition

3 Dimensions, designation

It is not essential that the sockets conform to the pictorial representation, only the dimensions specified are to be adhered to.

¹⁾ For definition of adhesive, see DIN 16 921 (Preliminary Standard)

Continued on pages 2 and 3
Explanations on page 3

Sockets (MGA and MGI)

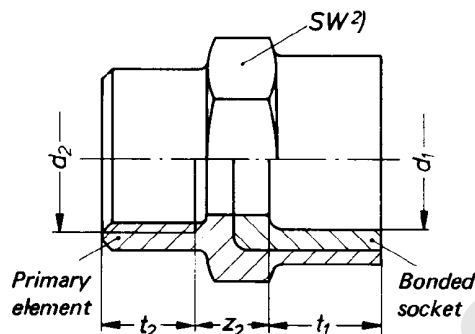
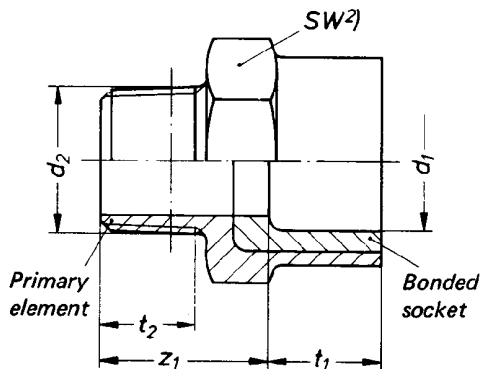
For bonding with a highly solvent adhesive

Type MGA

Socket with primary element of copper-zinc alloy (brass) with tapered external thread on one side and a bonded socket on the other side

Type MGI

Socket with primary element of copper-zinc alloy (brass) with cylindrical internal thread on one side and a bonded socket on the other side



Designation of a socket of Type MGA for external pipe diameter $d = 20$ mm of copper-zinc alloy CuZn40Pb2(Ms):
Socket DIN 8063 – MGA 20 Ms

External pipe diameter d according to DIN 8062	Mean socket diameter d_1	Allowances		d_2 ³⁾	Socket length t_1 ⁴⁾	t_2 ⁵⁾	z_1	z_2	Perm. dev. for z_1 and z_2
12	12	+ 0.3 + 0.1	R 1/4	12	11	19.5	8.5	± 1	
16	16		R 3/8	14	11.4	20	9	± 1	
20	20		R 1/2	16	15	24	9	± 1	
25	25		R 3/4	19	16.3	25.5	9.5	+ 1.2 - 1	
32	32		R 1	22	19.1	28.5	9.5	+ 1.6 - 1	
40	40		R 1 1/4	26	21.4	31.5	10	+ 2 - 1	
50	50		R 1 1/2	31	21.4	32	10.5	+ 2.5 - 1	
63	63		R 2	38	25.7	37	11	+ 3.2 - 1	

³⁾ In accordance with DIN 2999 Part 1

⁴⁾ Socket length $t_1 = 0.5 d_1 + 6$ mm, but with a minimum of 12 mm, in conformity with ISO 727 – 1979

⁵⁾ Internal thread: t_2 = minimum dimension; corresponds to the maximum dimension of the useful thread length in accordance with DIN 2999 Part 1

External thread: t_2 = minimum dimension; corresponds to the maximum dimension of the useful thread length in accordance with DIN 2999 Part 1

4 Material

Primary element: Ms = CuZn40Pb2 in accordance with DIN 17 660, unless otherwise agreed.

Bonded socket: unplasticized PVC, in accordance with the requirements of DIN 8063 Part 5.

5 Finish

The bonded socket is pressed into the primary element.

²⁾ SW: widths over flats in accordance with DIN 475 Part 1

Further Standards

- DIN 8061 Part 1 Pipes of unplasticized polyvinyl chloride (rigid PVC); general quality requirements, testing
- DIN 8061 Part 2 Pipes of unplasticized polyvinyl chloride, especially impact-proof (HIPVC); general quality requirements, testing
- DIN 8063 Part 1 Pipe joints and pipe fittings for pipes under pressure of unplasticized polyvinyl chloride (rigid PVC); socket and double socket bends of unplasticized PVC pipe, dimensions
- DIN 8063 Part 2 Pipe joints and pipe fittings for pipes under pressure of unplasticized polyvinyl chloride (rigid PVC); bends made by injection moulding for bonding, dimensions
- DIN 8063 Part 3 Pipe joints and pipe fittings for pipes under pressure of unplasticized polyvinyl chloride (rigid PVC); screwed pipe joints, dimensions
- DIN 8063 Part 4 Pipe joints and pipe fittings for pipes under pressure of unplasticized polyvinyl chloride (rigid PVC); bushings, flanges, seals, dimensions
- DIN 8063 Part 6 Pipe joints and pipe fittings for pipes under pressure of unplasticized polyvinyl chloride (rigid PVC); injection moulded elbows for bonding, dimensions
- DIN 8063 Part 7 Pipe joints and pipe fittings for pipes under pressure of unplasticized polyvinyl chloride (rigid PVC); injection moulded tees and branches for bonding, dimensions
- DIN 8063 Part 8 Pipe joints and pipe fittings for pipes under pressure of unplasticized polyvinyl chloride (rigid PVC); injection moulded sockets, caps and nipples for bonding, dimensions
- DIN 8063 Part 9 Pipe joints and pipe fittings for pipes under pressure of unplasticized polyvinyl chloride (rigid PVC); injection moulded reducers for bonding, dimensions
- DIN 8063 Part 10 Pipe joints and pipe fittings for pipes under pressure of unplasticized polyvinyl chloride (rigid PVC); wall discs, dimensions

Explanations

This Standard has been prepared by Sub-committee 504.4 „Plastic Fittings for Pipes of Thermoplastics“ of the Normenausschuss Kunststoffe (Standards Committee Plastics) (FNK).

Revision was necessary in order to give effect to a number of roundings of the dimensions of socket lengths to whole mm.

As this Standard is a Basic Standard, no further steps have been taken to allot nominal widths to the external diameters of pipes.