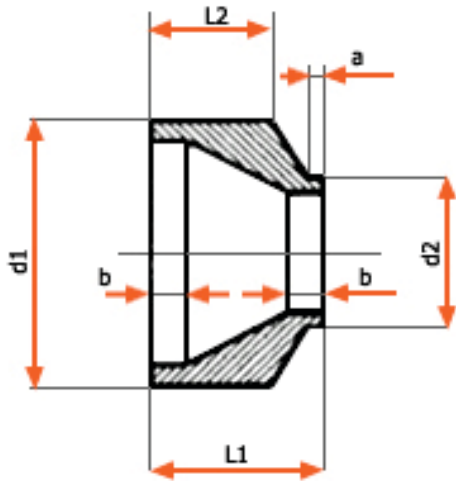


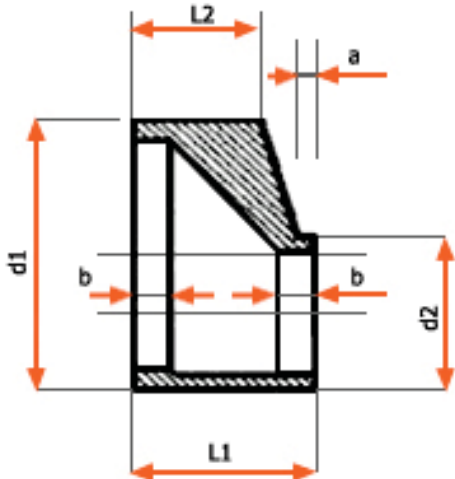


Concentric/Excentric Reducing

Concentric Reducing



Excentric Reducing



d1		d2	L1	L2	a	b
mm	equiv inch					
110	4	63 a 90	200	150	20	30
125	5	63 a 110				
140	5 1/2	75 a 125				
160	6	90 a 140				
180	7	90 a 160				
200	8	110 a 180				
225	9	125 a 200				
250	10	125 a 225	300	250	25	40
280	11	140 a 250				
315	12	160 a 280	400	300	30	50
355	14	180 a 315				
400	16	200 a 355				
450	18	225 a 400				
500	20	250 a 450				
560	22	280 a 500	500	350	40	70
630	25	315 a 560				
710	28	355 a 630				
800	32	400 a 710				
900	36	450 a 800				
1000	40	500 a 900	600	400	50	100
1200	48	630 a 1000				
1400	56	710 a 1200				
1600	64	800 a 1400				

